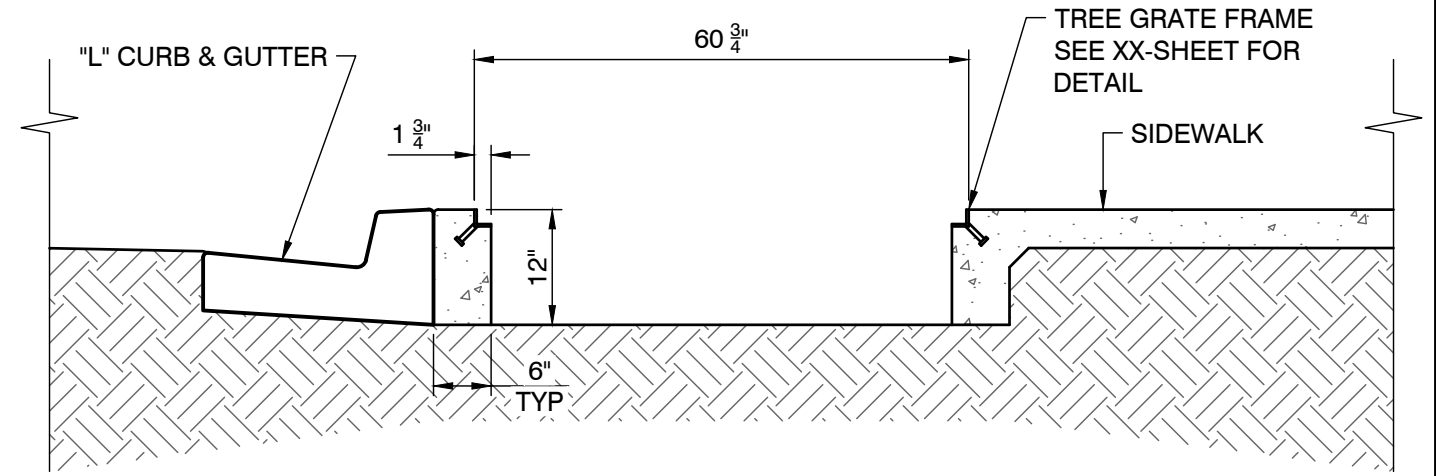
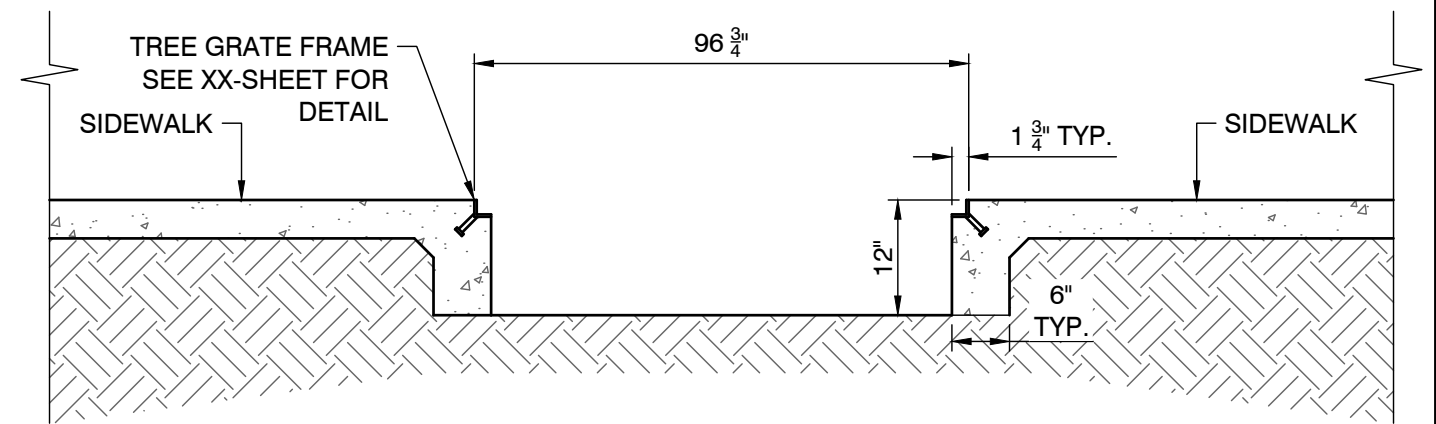


TREE WELL LOCATIONS	
"XX" ##+##.#	LT / RT
"XX" ##+##.#	LT / RT
"XX" ##+##.#	LT / RT
"XX" ##+##.#	LT / RT



SECTION A-A



SECTION B-B

NOTES

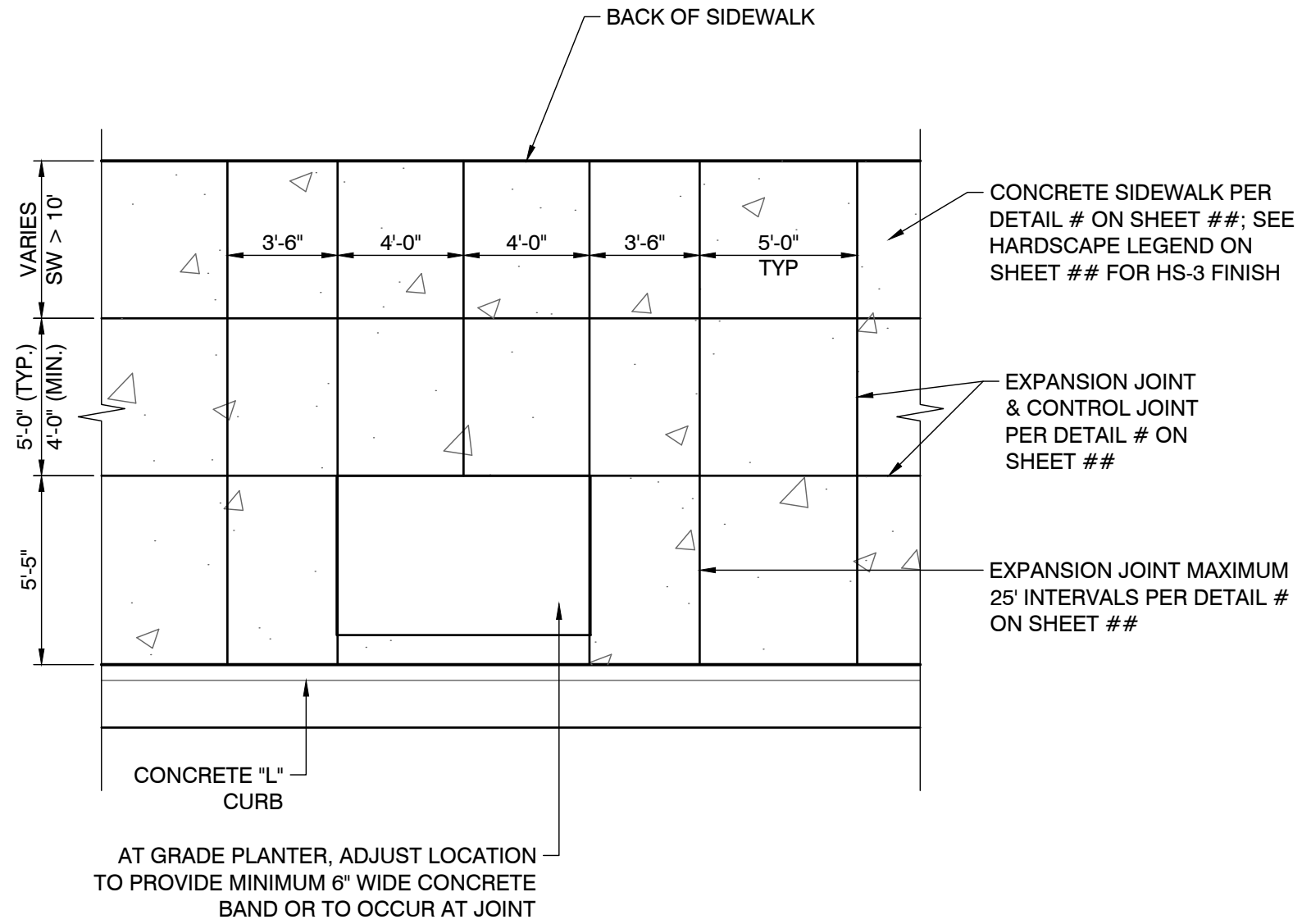
1. VERIFY ALL DIMENSIONS WITH TREE GRATE SUPPLIER PRIOR TO CONSTRUCTION
2. REFER TO TYPICAL CONCRETE SIDEWALK LAYOUT ON DETAIL # SHEET ##

TREE WELL BLOCKOUT
RD## SCALE: N.T.S.

PROWAG AND DOWNTOWN PROJECTS
TREE WELL BLOCKOUT (5' x 8' TREE GRATE) W/ 9'-5" OR GREATER SIDEWALK WIDTH

DEPARTMENT OF PUBLIC WORKS
CAPITAL PROJECT MANAGEMENT
DATE: 12/9/20 DRAWN BY: IJPC
SHEET: 1 OF 2





NOTES

1. SEE DETAIL # ON SHEET ## FOR CONCRETE COLLARS AROUND UTILITY BOXES AND POLES.

RD##

CONCRETE SIDEWALK LAYOUT

SCALE: N.T.S.

