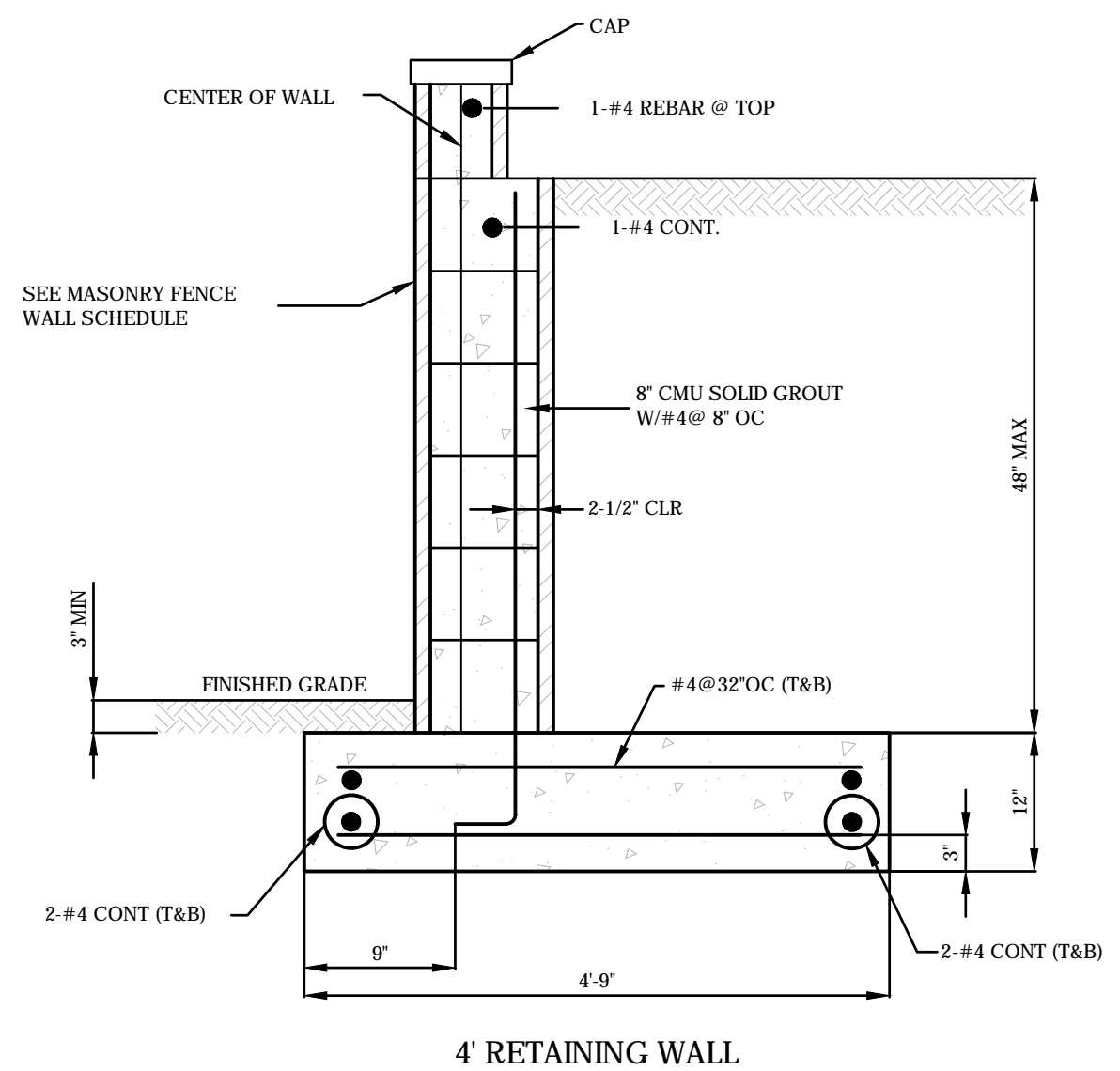
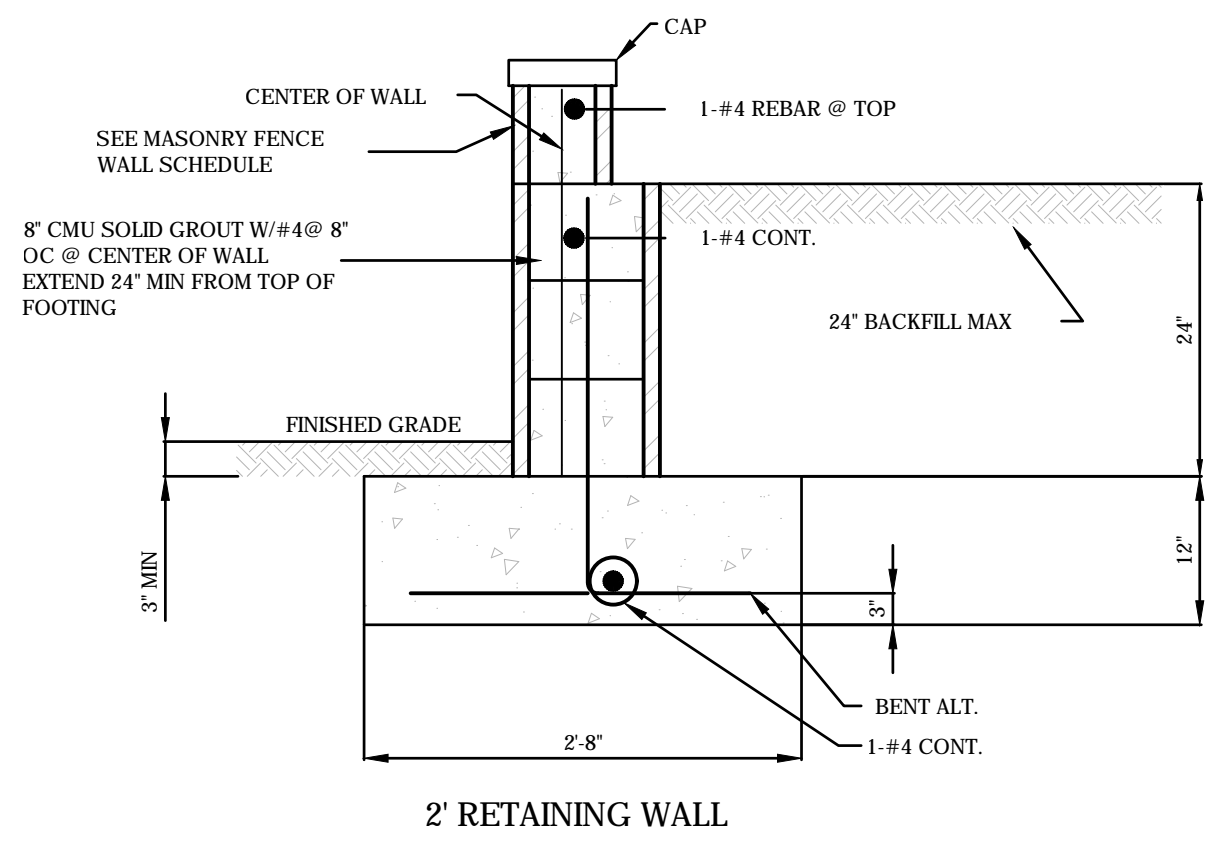




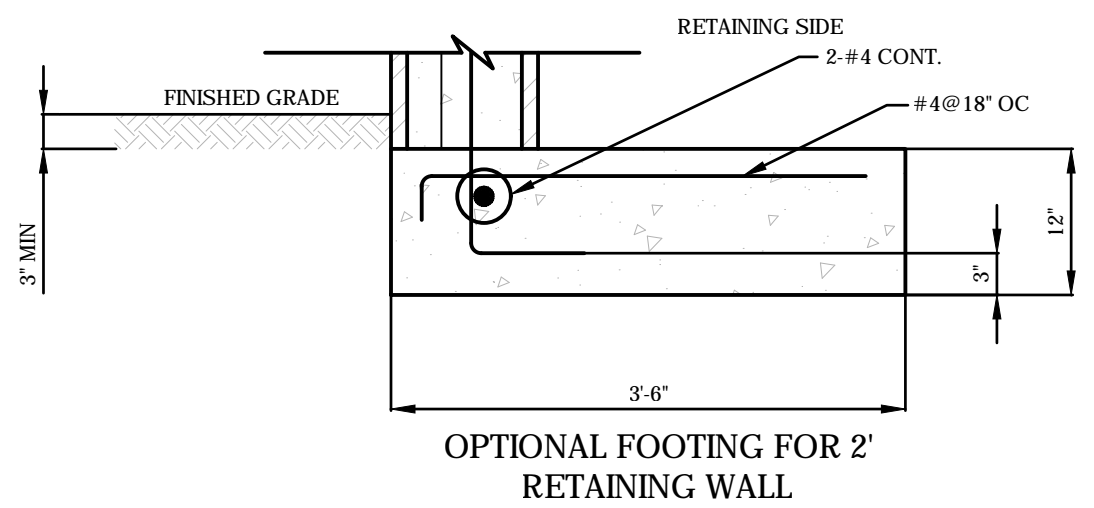
RETAINING WALL SHALL NOT BE SUBJECT TO ANY SURCHARGE LOAD FROM ADJACENT FOOTING OR SURCHARGE LOAD OVER HEEL
3" MIN COVER FOR ALL REBARS



4' RETAINING WALL



2' RETAINING WALL



OPTIONAL FOOTING FOR 2'
RETAINING WALL

5
DT2

RETAINING WALL

SCALE: N.T.S.