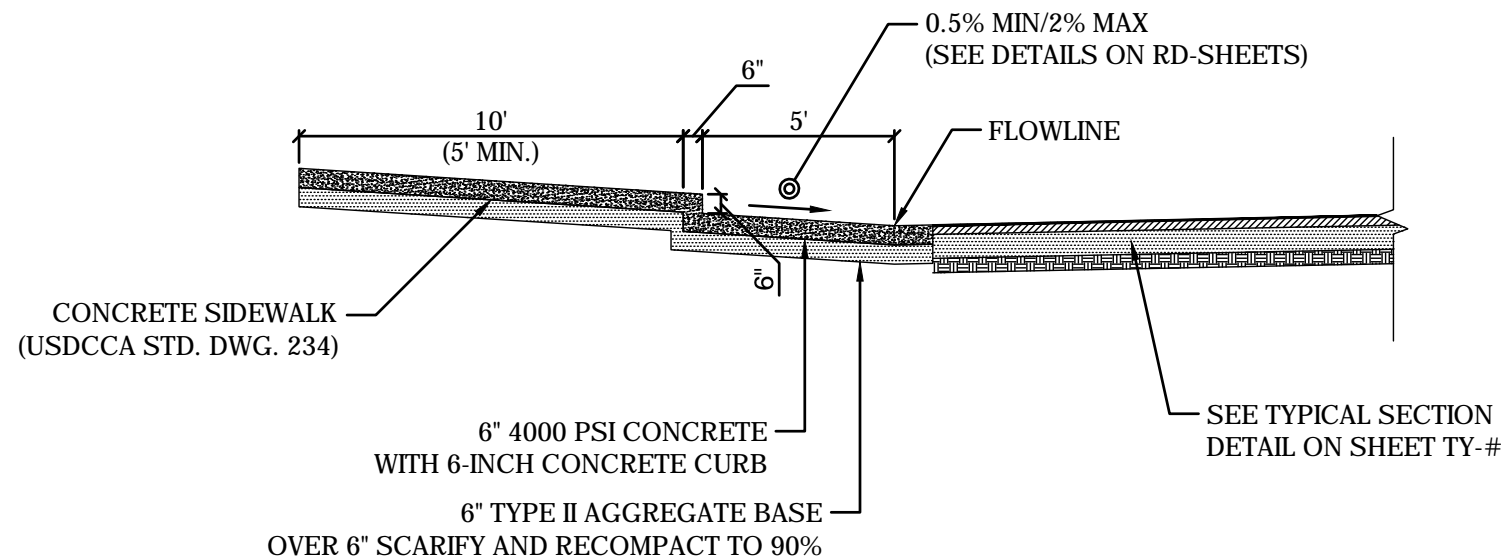
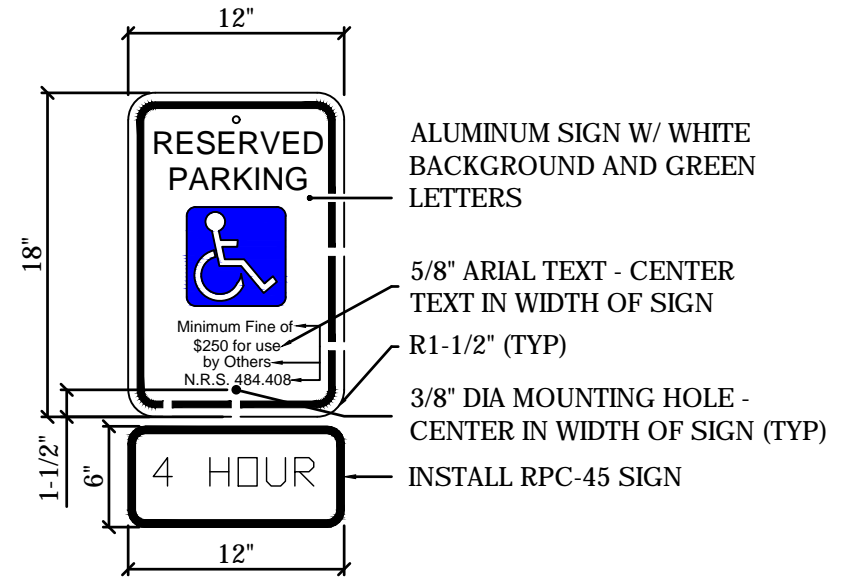


SECTION A-A



SECTION B-B

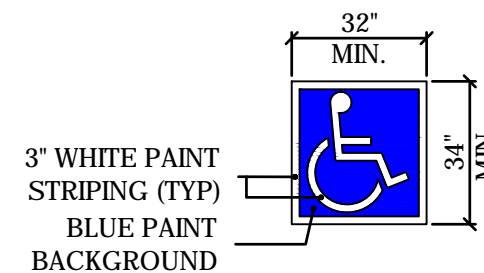


ACCESSIBLE SIGN

(MUTCD R7-8 W/ ADD'L LETTERING AS SHOWN)

NOTES:

- INTERNATIONAL SYMBOL OF ACCESSIBILITY SHALL BE IN ACCORDANCE WITH THE UNIFORM FEDERAL ACCESSIBILITY STANDARDS SECT 4.30.5.
- ACCESSIBLE SIGN SHALL BE MUTCD R7-8 WITH ADDITIONAL WORDING AS SHOWN.
- POST MOUNTING OF SIGN TO BE PER USD 249.1 AND ADAAG X02.6.1.8



NOTES:

- INTERNATIONAL SYMBOL OF ACCESSIBILITY SHALL BE IN ACCORDANCE WITH THE UNIFORM FEDERAL ACCESSIBILITY STANDARDS SECT 4.30.5.



PROWAG AND DOWNTOWN PROJECTS
ON-STREET ADA PARKING NEAR-SIDE OF INTERSECTION

DEPARTMENT OF PUBLIC WORKS
CAPITAL PROJECT MANAGEMENT
DATE: 3/17/20
DRAWN BY: LPC
SHEET: 1 OF 1

