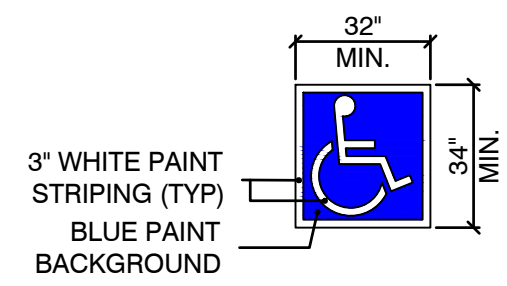


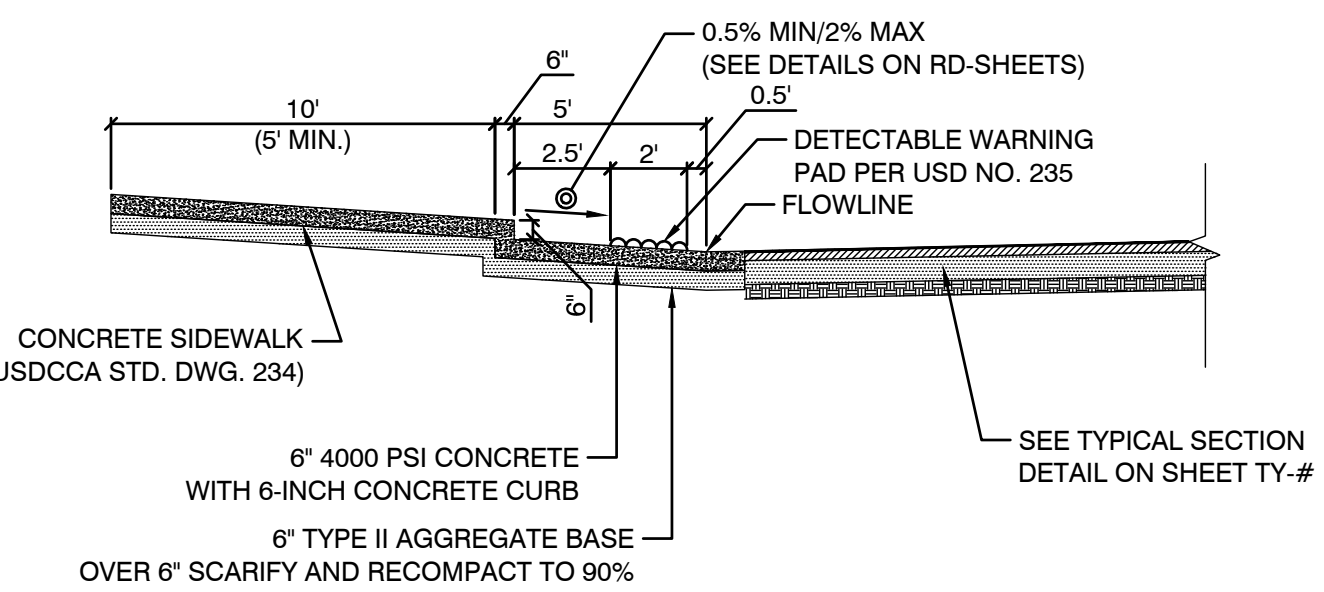
- ACCESSIBLE SIGN**
(MUTCD R7-8 W/ ADD'L LETTERING AS SHOWN)
- NOTES:**
- INTERNATIONAL SYMBOL OF ACCESSIBILITY SHALL BE IN ACCORDANCE WITH THE UNIFORM FEDERAL ACCESSIBILITY STANDARDS SECT 4.30.5.
 - ACCESSIBLE SIGN SHALL BE MUTCD R7-8 WITH ADDITIONAL WORDING AS SHOWN.
 - POST MOUNTING OF SIGN TO BE PER USD 249.1 AND ADAAG X02.6.1.8

RESERVED PARKING HANDICAP POST MOUNTED TRAFFIC SIGN
SCALE: N.T.S.

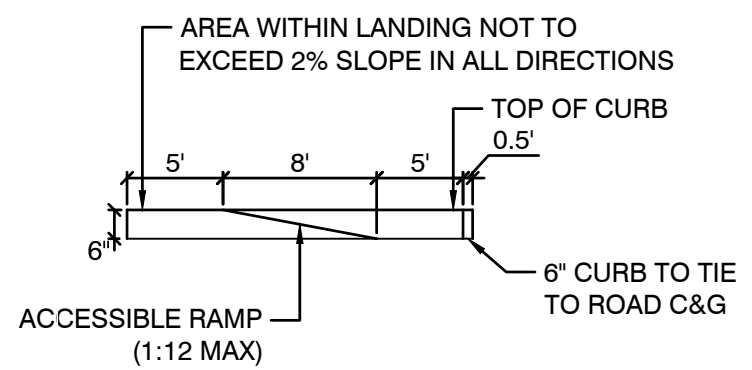


- NOTES:**
- INTERNATIONAL SYMBOL OF ACCESSIBILITY SHALL BE IN ACCORDANCE WITH THE UNIFORM FEDERAL ACCESSIBILITY STANDARDS SECT 4.30.5.

ACCESSIBLE PARKING PAVEMENT MARKER
SCALE: N.T.S.



SECTION B-B



SECTION A-A