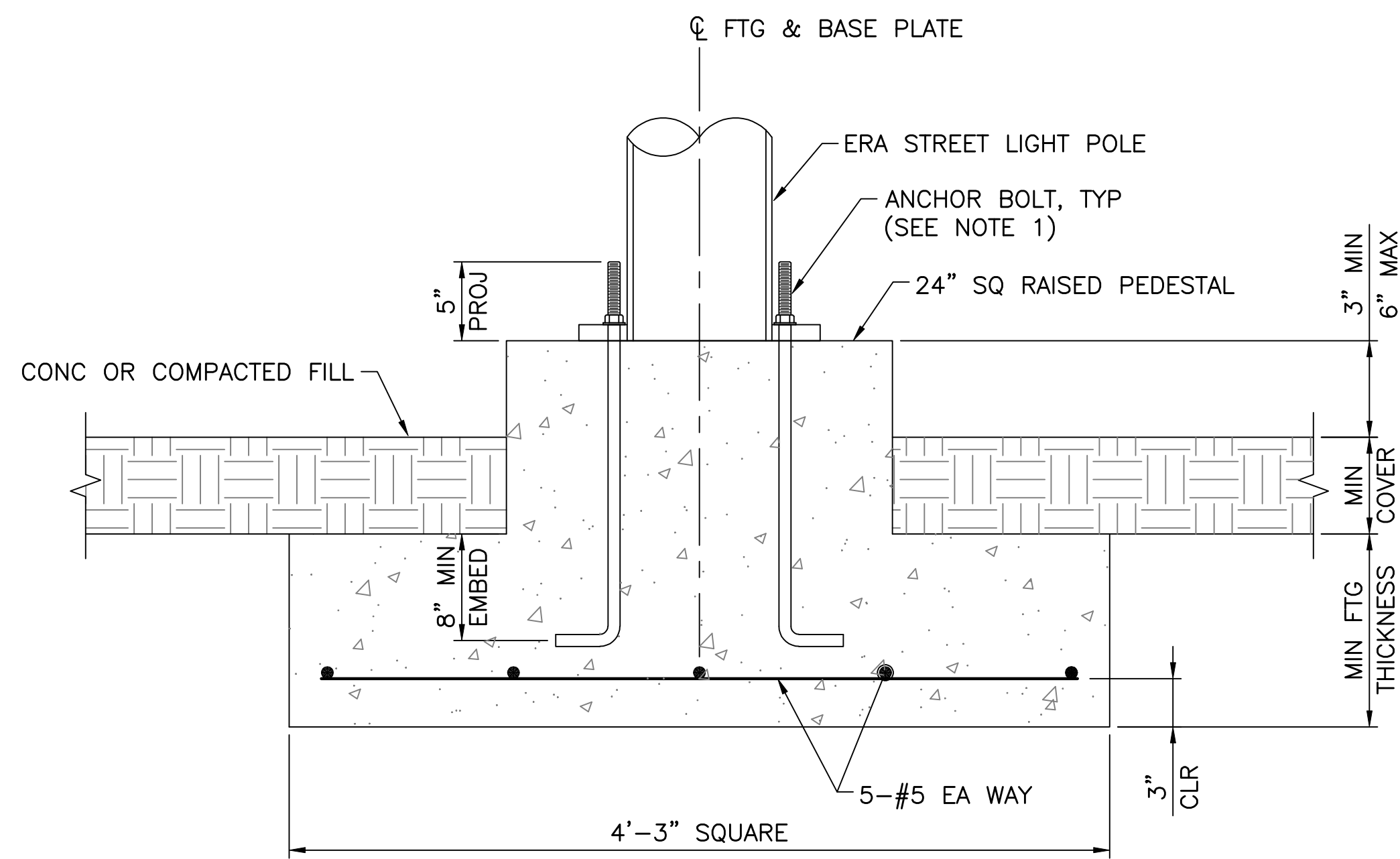


FTG PLAN
SCALE: 1/8"=1'-0" (A S1)



FTG ELEV
SCALE: 1/8"=1'-0" (B S1)

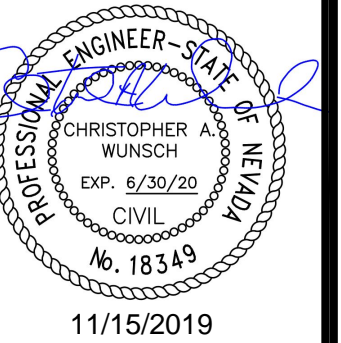
NOTES:
1. PROVIDE (4)-1"Ø x (VARIES) LONG + 4" HOOK FULLY GALVANIZED ANCHOR BOLTS (ASTM F1554 GR. 36), w/ 5" PROJECTIONS AND 8" MINIMUM EMBEDMENT INTO CONC FOOTING.

MIN COVER	MIN FTG THICKNESS
0"	1'-8"
6"	1'-3"
12"	1'-0"

GENERAL NOTES:

1. PORTLAND CEMENT SHALL CONFORM TO A.S.T.M. C 150-18, TYPE V. AGGREGATE SHALL CONFORM TO A.S.T.M. C 33-18.
2. ALL STRUCTURAL CONCRETE SHALL DEVELOP A MINIMUM COMPRESSIVE STRENGTH OF 4000 PSI AT 28 DAYS. NON-SHRINK CONCRETE GROUT SHALL DEVELOP A MINIMUM COMPRESSIVE STRENGTH OF 2000 PSI AT 28 DAYS.
3. ALL REINFORCING STEEL SHALL BE ASTM DESIGNATION A615 GRADE 60.
4. USE 3/4" CHAMFER ON ALL EXPOSED CORNERS.

PREPARED BY
CA Group, Inc
C A V I O L A N S O N
2785 S. RAINBOW BLVD.
LAS VEGAS, NV 89146
PHONE: (702) 886-5945



TITLE
**FREMONT STREET IMPROVEMENT PROJECT
LAS VEGAS BLVD TO 14TH ST**
SHEET
**OPTIONAL ERA STREET LIGHT
SPREAD FOOTING**

PREPARED FOR
CITY OF LAS VEGAS
DATE: 11/15/19
DESIGNED BY: CW
DRAWN BY: CW
CHECKED BY: JMI
SUBMITTAL STAGE:
FINAL

SHEET
S1
1 OF 1
DRAWING NO.
107v7504

NO.	DATE	SHEET	REVISIONS