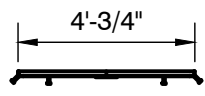


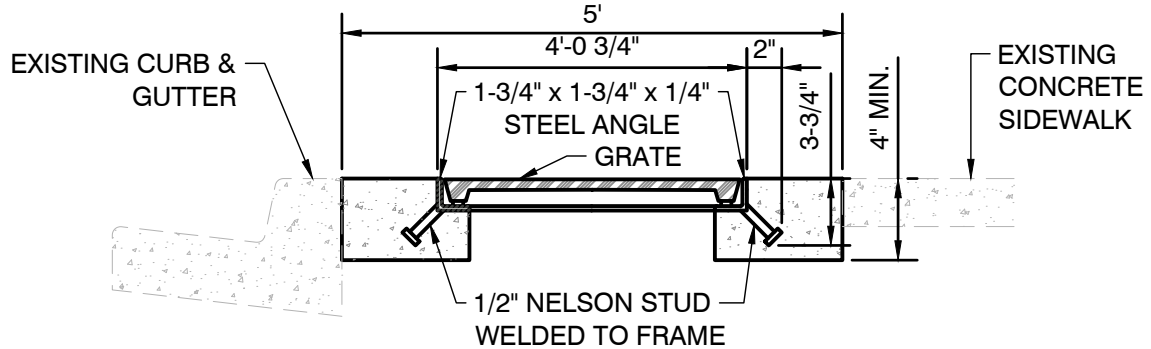
PLAN



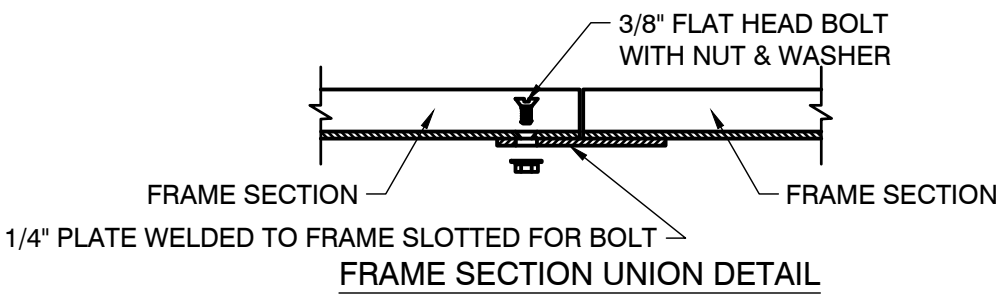
SECTION

* UTILIZE THIS DETAIL WHEN PROPOSING TREE GRATE UPGRADES IN RETROFIT CONDITION (i.e. ADJACENT SIDEWALK TO BE PROTECTED-IN-PLACE)

(REMOVE THIS NOTE ONCE DETAIL HAS BEEN INCORPORATED IN THE PLANS)



TREE GRATE FRAME INSTALLATION DETAIL



FRAME SECTION UNION DETAIL

DEPARTMENT OF PUBLIC WORKS

STANDARD DETAIL

DATE: 12/9/20 DRAWN BY: IJPC

SHEET: 1 OF 1



PROWAG AND DOWNTOWN PROJECTS

4-FT X 4-FT TREE GRATE RETROFIT CONDITION